

Name : _____

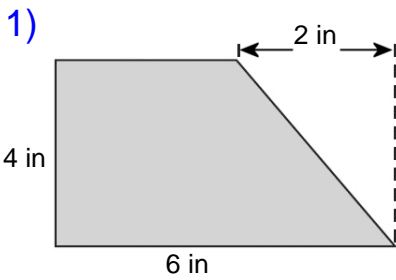
Score : _____

Teacher : _____

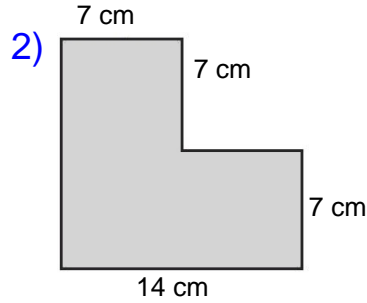
Date : _____

Compound Shapes

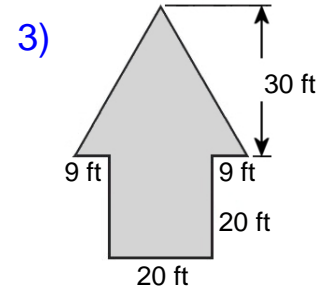
Find the area of each figure, round your answer to one decimal place if necessary.



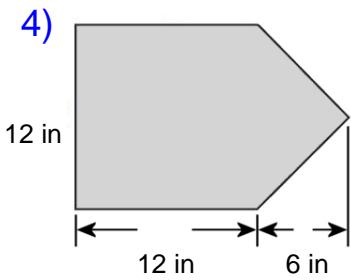
Area: _____



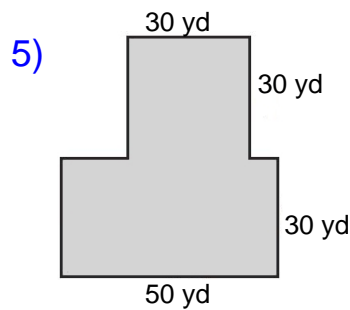
Area: _____



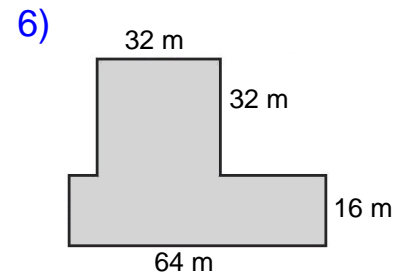
Area: _____



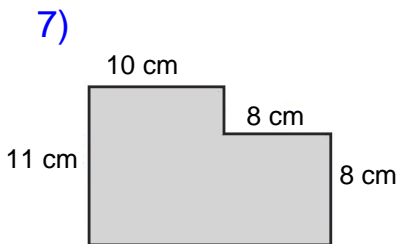
Area: _____



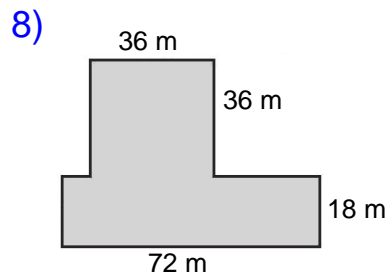
Area: _____



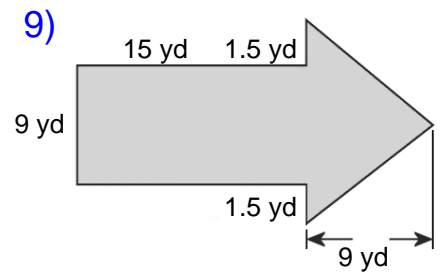
Area: _____



Area: _____



Area: _____



Area: _____

Name : _____

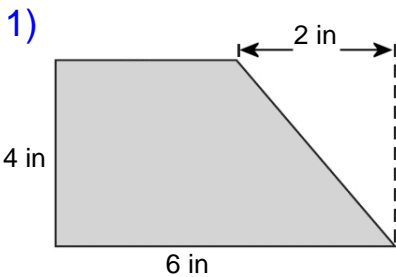
Score : _____

Teacher : _____

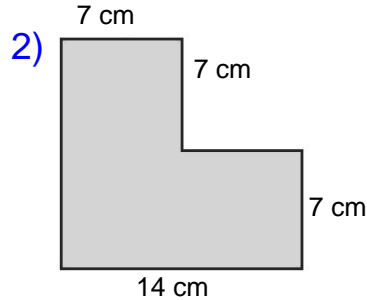
Date : _____

Compound Shapes

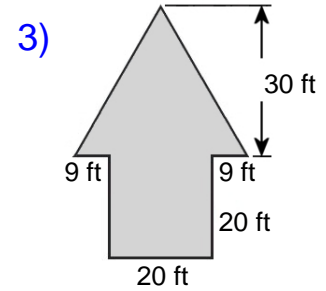
Find the area of each figure, round your answer to one decimal place if necessary.



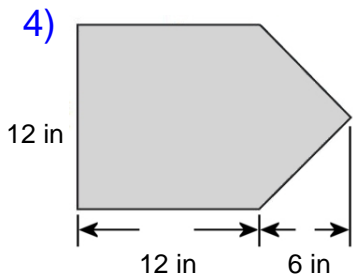
Area: 20 in²



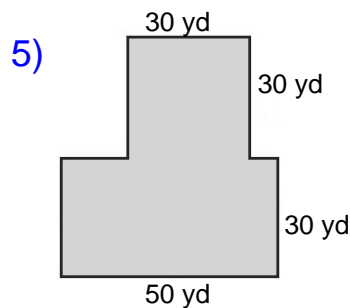
Area: 147 cm²



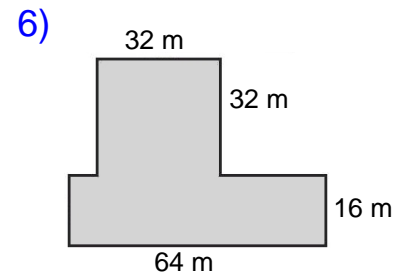
Area: 970 ft²



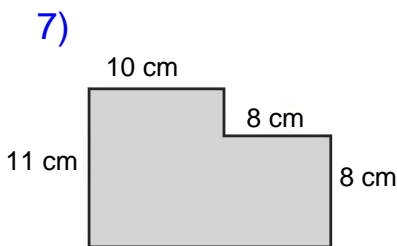
Area: 180 in²



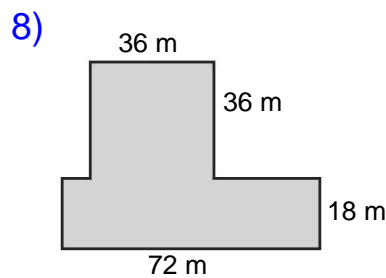
Area: 2400 yd²



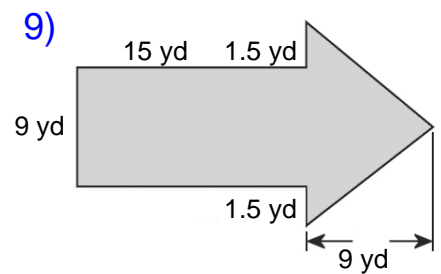
Area: 2048 m²



Area: 174 cm²



Area: 2592 m²



Area: 189 yd²