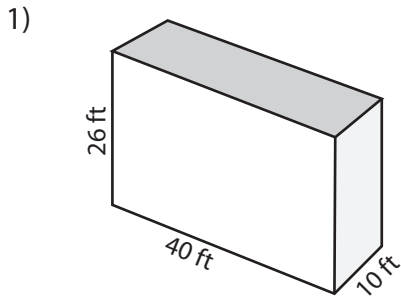


Name : _____

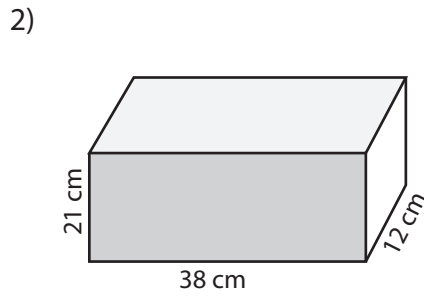
Score : _____

Volume - Rectangular Prism

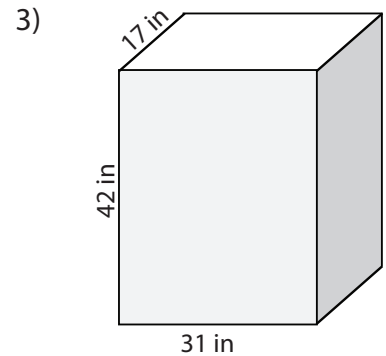
Find the volume of each rectangular prism.



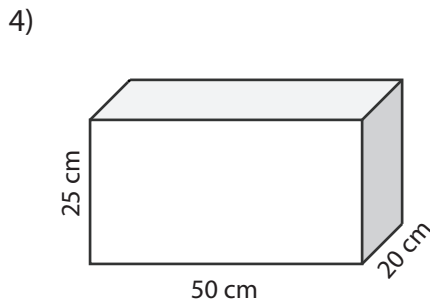
Volume = _____



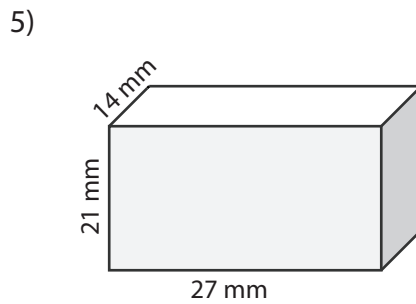
Volume = _____



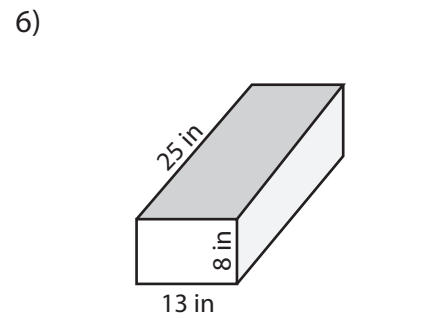
Volume = _____



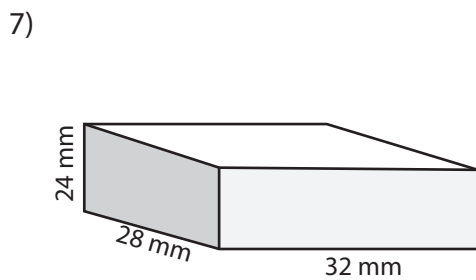
Volume = _____



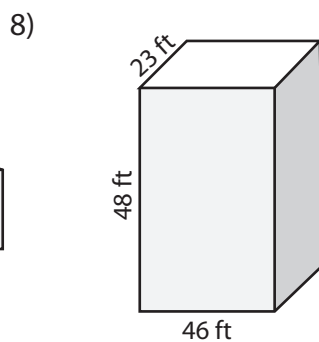
Volume = _____



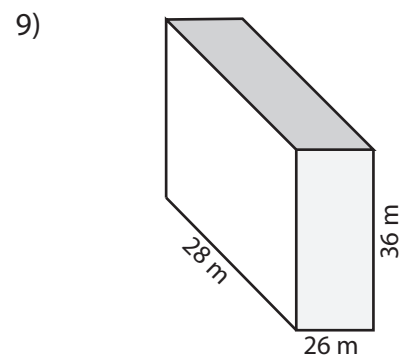
Volume = _____



Volume = _____



Volume = _____



Volume = _____

10) A cooler has a length of 25 inches, a width of 19 inches and a height of 15 inches. How much ice would the cooler hold?

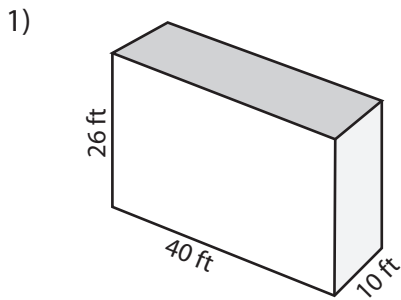
Volume = _____

Name : _____

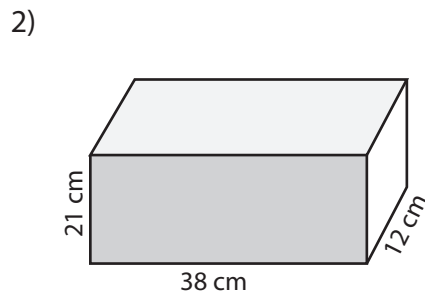
Score : _____

Answer Key

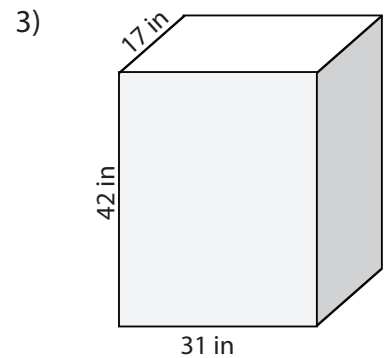
Find the volume of each rectangular prism.



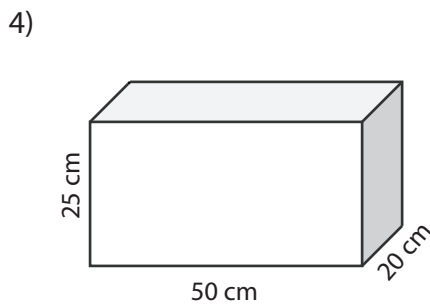
Volume = 10400 ft³



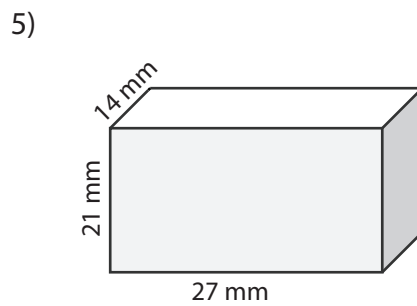
Volume = 9576 cm³



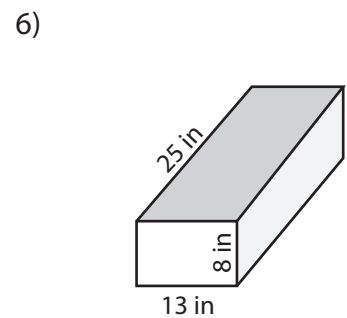
Volume = 22134 in³



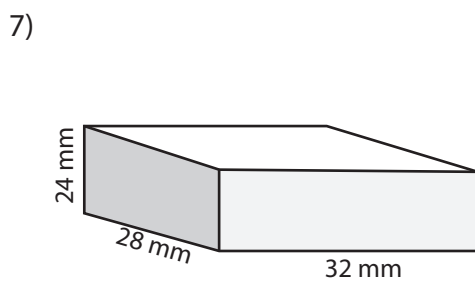
Volume = 25000 cm³



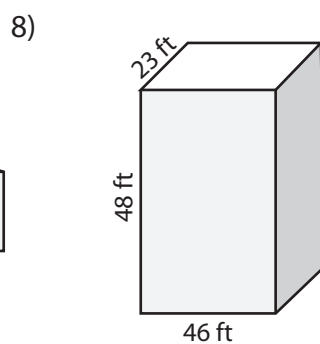
Volume = 7938 mm³



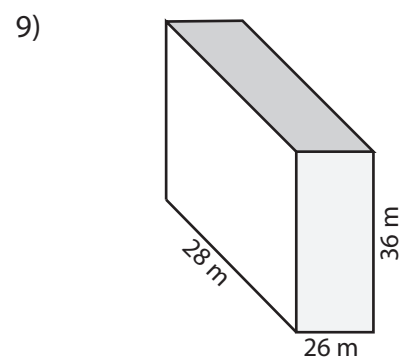
Volume = 2600 in³



Volume = 21504 mm³



Volume = 50784 ft³



Volume = 26208 m³

10) A cooler has a length of 25 inches, a width of 19 inches and a height of 15 inches. How much ice would the cooler hold?

Volume = 7125 in³