

Daily Review

- Please answer the following questions. If you finish the questions, please open your book and turn to page 566. Copy down the definition of volume.
- What is the formula for area of a triangle?
- Find the area of a trapezoid that has the following measurements: Base 1- 10 in., Base 2- 20 in., Height- 6 in.

The area of a rectangular patio is $90\frac{3}{10}$ square feet. The length is $10\frac{1}{2}$ feet.

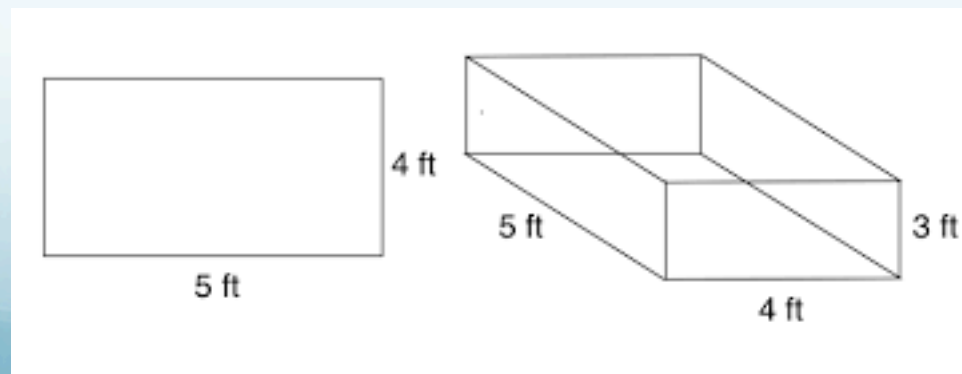
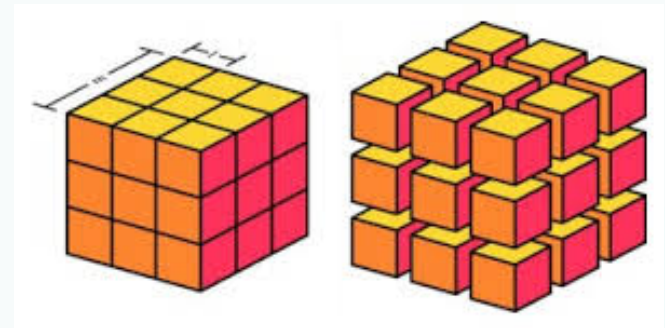
What is the width, in feet, of the patio?

- A.** $\frac{5}{43}$
- B.** $8\frac{3}{5}$
- C.** $79\frac{4}{5}$
- D.** $948\frac{3}{20}$

Review Notes and
Work from yesterday

Volume

- Volume- The number of cubic units need to fill a space
- One more step from area
- Different from area- 2D vs. 3D
- Squared vs. Cubed
- Unit Cubes- What fills up volume



Volume of a Rectangular Prism

- The only one we are worrying about
- Examples of rectangular prisms
- Instead of counting unit cubes, we use a formula
- Formula- Length times width times height
- $V = LWH$

EXAMPLE

1

Finding the Volume of a Rectangular Prism

Find the volume of the rectangular prism.



$$V = lwh$$

$$V = 80 \cdot 36 \cdot 20$$

$$V = 57,600 \text{ in}^3$$

Write the formula.

$$l = 80; w = 36; h = 20$$

Multiply.

Video and Reminders

- <https://www.brainpop.com/math/geometryandmeasurement/polyhedrons/>
- <https://www.brainpop.com/math/geometryandmeasurement/volumeofprisms/>
- Homework: Study Guide and Worksheet